

- NOTES:
1. MATERIAL:
  - 1.1 HOUSING: THERMOPLASTIC, UL94 V-0; COLOR: BLACK
  - 1.2 RJ CONTACT: COPPER ALLOY, T=0.30±0.02mm.
  - 1.3 SHELL: COPPER ALLOY, T=0.20±0.02mm.
2. FINISH:
- 2.1 CONTACT: GOLD PLATING(SEE TABLE) ON CONTACT AREA.
  - 2.54um [100u"] MIN. MATTE-TIN PLATING ON SOLDER TAIL AREA.
  - 1.27um [50u"] MIN. NICKEL UNDERPLATING OVERALL.
  - 2.2 SHELL: 1.27um [50u"] MIN. NICKEL UNDERPLATING OVERALL.
3. RECOMMENDED P.C.B THICKNESS : 1.6mm
  4. OTHER GENERAL SPEC. TO REFER : RJF SERIES SPEC.
  5. FOR REFLOW SOLDERING LEAD-FREE PROCESS

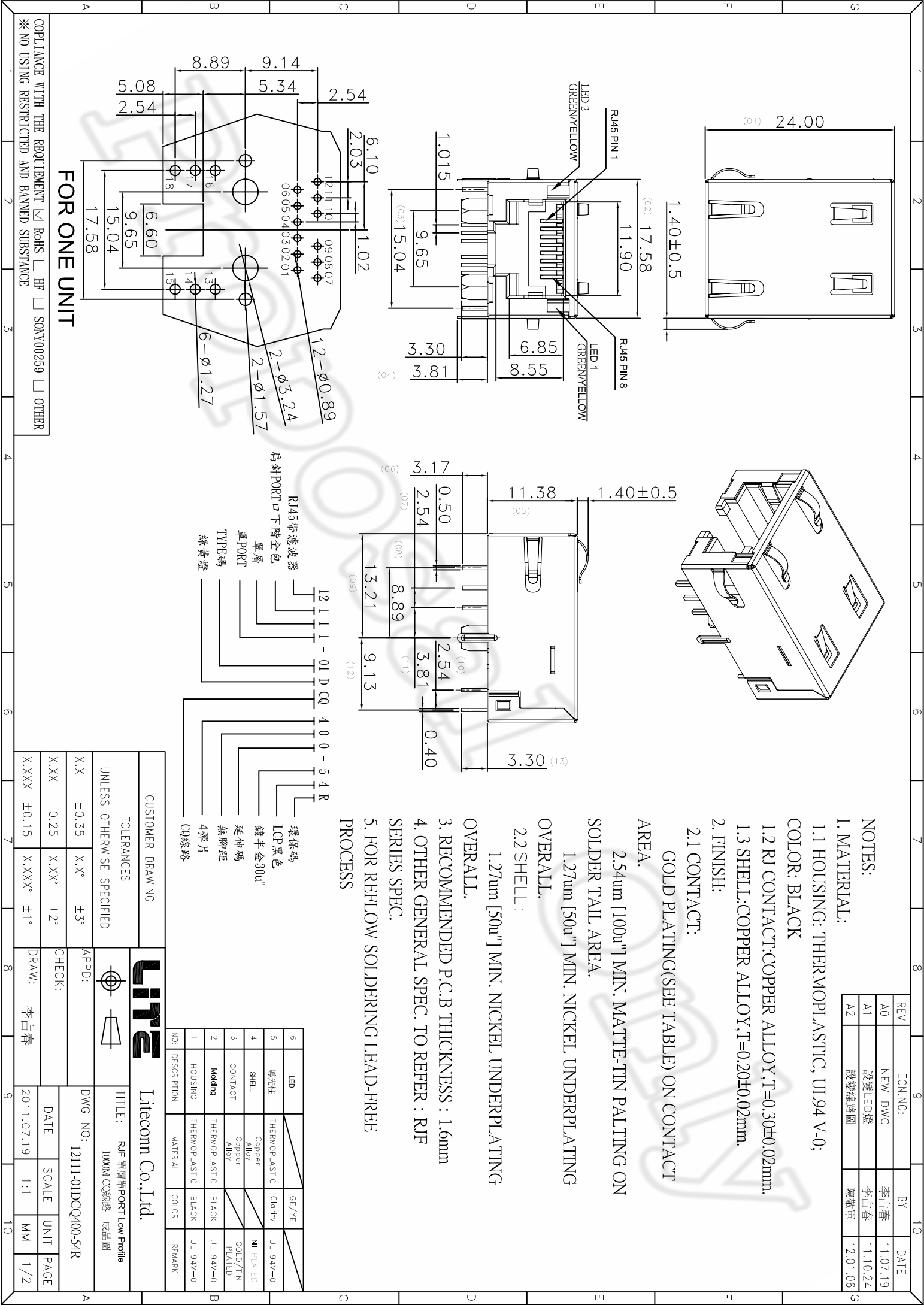
NO.	DESCRIPTION	MATERIAL	COLOR	REMARK
6	LED		GE/YE	
5	導光柱	THERMOPLASTIC	Clarity	UL 94V-0
4	SHELL	Copper Alloy		NI PLATED
3	CONTACT	Copper Alloy		GOLD/TIN PLATED
2	Molding	THERMOPLASTIC	BLACK	UL 94V-0
1	HOUSING	THERMOPLASTIC	BLACK	UL 94V-0

**Lite** Litecomm Co., Ltd.

CUSTOMER DRAWING		TITLE: RJF 單層單PORT Low Profile 100MM CO線路 成品圖
-TOLERANCES- UNLESS OTHERWISE SPECIFIED		DWG NO.: 12111-01DCC400-54R
X.X ±0.35	X.X° ±3°	DATE: 2011.07.19
X.XX ±0.25	X.XX° ±2°	SCALE: 1:1
X.XXX ±0.15	X.XXX° ±1°	UNIT: MM
		PAGE: 1/2

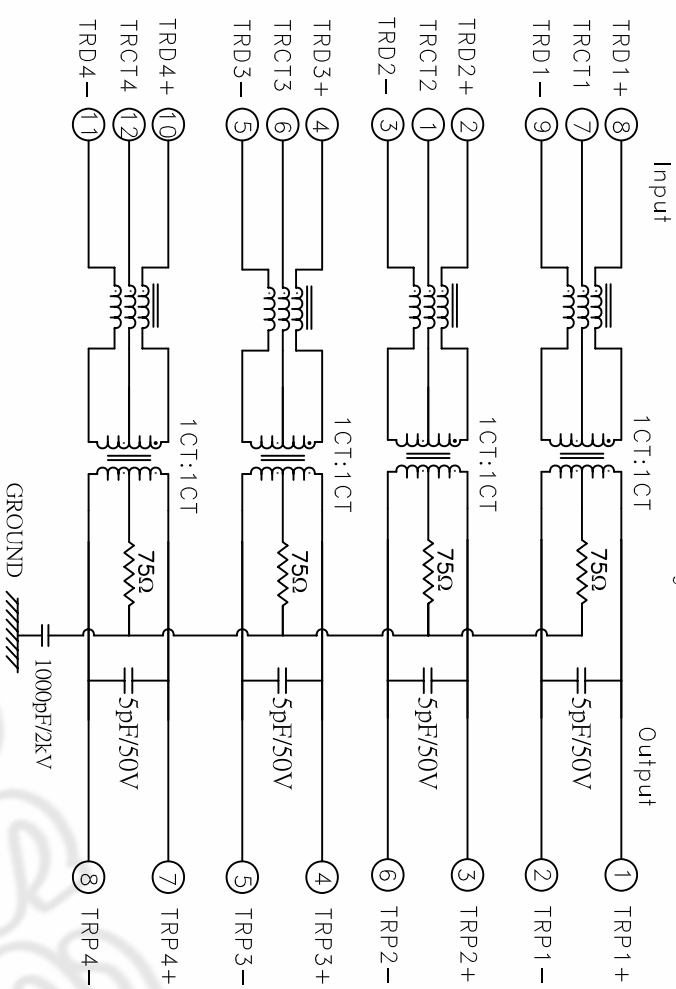
FOR ONE UNIT

COMPLIANCE WITH THE REQUIREMENT  RoHS  HF  SONY00259  OTHER  
 ※ NO USING RESTRICTED AND BANNED SUBSTANCE

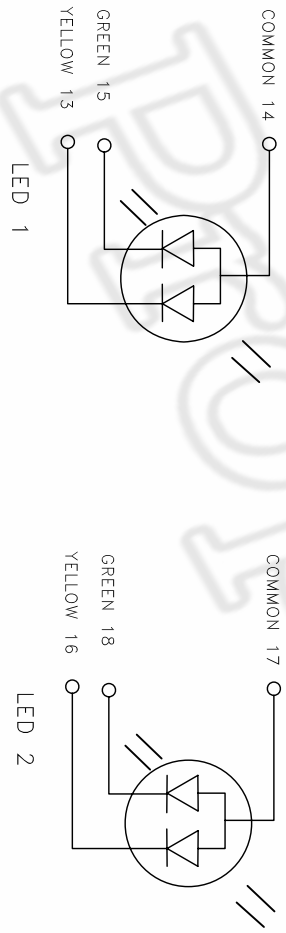


# SCHEMATIC

CQ Circuit Isolation Magnetic



LED CONFIGURATION



## ELECTRICAL CHARACTERISTICS

- TEST NOTES(25±5°C) \_\_\_\_\_
- 1.TR:(100kHz,100mV) \_\_\_\_\_
- PINS:(P8-P9):(J1-J2)=1:1±3%:(P2-P3):(J3-J6)=1:1±3%
- PINS:(P4-P5):(J4-J5)=1:1±3%:(P10-P11):(J7-J8)=1:1±3%
- 2.LX:(100kHz,100mV,8mA DC Bias)
- PINS:(P8-P9),(P2-P3),(P4-P5),(P10-P11)=350uH MINIMUM
- 3.DCR: \_\_\_\_\_
- PINS:(J1-J2),(J3-J6),(J4-J5),(J7-J8)=1.2 OHMS MAXIMUM
- 4.HIPOT: \_\_\_\_\_
- PINS:(P8-P9)TO(J1-J2),(P2-P3)TO(J3-J6)=1500Vrms
- PINS:(P4-P5)TO(J4-J5),(P10-P11)TO(J7-J8)=1500Vrms
- 5.INSERTION LOSS: \_\_\_\_\_
- 0.8dB MAXIMUM AT 1MHz-100MHz
- 1.2dB MAXIMUM AT 100MHz-120MHz
- 6.RETURN LOSS \_\_\_\_\_
- 18dB MINIMUM AT 0.5MHz TO 40MHz
- 12+20log(f/80MHz)dB MINIMUM AT 40MHz TO 100MHz
- 7.CROSS TALK: \_\_\_\_\_
- 33+20log(f/100MHz)dB MINIMUM AT 0.1MHz TO 100MHz
- 8.COMMON TO DIFFERENTIAL MODE REJECTION \_\_\_\_\_
- 30dB MINIMUM AT 0.3MHz TO 100MHz
- 9.COMMON TO COMMON MODE REJECTION \_\_\_\_\_
- 30dB MINIMUM AT 0.3MHz TO 100MHz
- 10.LED1&LED2 \_\_\_\_\_
- Vf(FORWARD VOLTAGE) IF=20mA GREEN2.2V TYP,YELLOW 2.1V TYP
- DD(DOMINANT WAVELENGTH) IF=20mA,GREEN 570nm TYP,YELLOW 590nm TYP

REV	ECN/NO:	BY	DATE
A0	NEW DWG	李占春	11.07.19
A1	設變LED燈	李占春	11.10.24
A2	設變線路圖	陳敬軍	12.01.06

**Lite** Litecom Co.,Ltd.

TITLE: RnF 單層單PORT Low Profile 1000M CQ線路 成品圖

CUSTOMER DRAWING		APPD:		DWG NO:	
-TOLERANCES-		DRAWN: 李占春		12111-01DCQ400-54R	
UNLESS OTHERWISE SPECIFIED		CHECK:		DATE	
X.X ±0.35	X.X° ±3°			SCALE	
X.XX ±0.25	X.XX° ±2°			UNIT	
X.XXX ±0.15	X.XXX° ±1°			PAGE	
				2/2	

COMPLIANCE WITH THE REQUIREMENT  RoHS  HF  SONY00259  OTHER  
 ※ NO USING RESTRICTED AND BANNED SUBSTANCE