

Features

- ▶ Typical wavelength, 655nm
- ▶ Stabilized optical power 2.5mW
- ▶ Single supply voltage, 5V DC
- ▶ **Line generator : Cylindrical glass lens & Aspheric lens**
- ▶ Low power consumption
- ▶ **Built-in waterproof equipment**
- ▶ **Adjustable beam according to distance**
- ▶ Attached deflection lens (+)
- ▶ Wire length : 30cm(standard) or custom
- ▶ A use of near distance
- ▶ Laser class : 1M (IEC 60825-1)
- ◆ **Option : Bracket & Power supply.**
- * The proper beam shape appears by user's exact focusing, because of LD's characteristic.

Specification

Optical

Optical power(mW)	2.5 (Tc=25°C)
LD power(mW)	5 (Max)
Wavelength(nm)	655 ±5
Focus Beam Wid(mm)	< 0.2 (at 300mm)
Collimated Beam Wid(mm)	<1.5 (at 2m)
Fan Angle (°)	5,45
Line Pattern	Accurate Cross
Beam Quality	TEM00
Beam intensity Pattern	Gaussian
LD Pin Connection	Case Positive

Electrical

Operating voltage(DC V)	5 ± 5%
Operating current(mA)	30(Typ.)
Operating Temp.(°C)	-10 ~ +50
Storage Temp.(°C)	-40 ~ +85

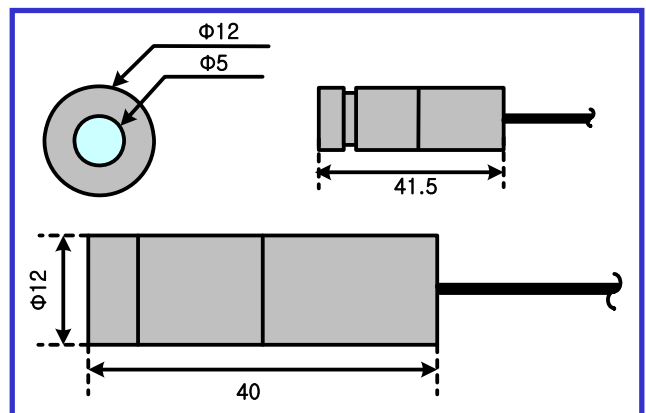
Mechanical

Weight(g)	16 ± 0.5
Dimensions(mm)	12Φ X 40
Operating lifetime(h)	30,000 ~ 50,000(@RT)
Housing material	Aluminum

Description

The NCW series laser diode module combines laser diode technology, quality optics, and sophisticated electronics within a slim and light aluminum anodized housing for variety of applications. This series of modules provides cross laser beam. Applications include a measurement, positioning, lighting, alignment, guidelines, pointing, switching, leveling, and machine vision etc. Useful in a variety of medical, industrial, and scientific instrumentation, as well as general R&D work.

Drawings



* Line length by distance

Angle	Distance (mm)	Line length (mm)
5°	100	9
	300	27
	500	44
	1000	88
45°	100	83
	300	249
	500	430
	1000	830

Lanics Co., Ltd.

Room #703, 7F Woolim e-Biz Center
170-5, Guro-dong, Guro-gu, Seoul, 152-050, Korea
TEL : +82-2-2108-2255 FAX : +82-2-2108-2260

E-mail : support@lanics.com
[http:// www.lanics.com](http://www.lanics.com)