

LEXRON-60

255/260/265/270/275P

LEXRON

Renewable Energy Systems

All-Purpose Module

LEXRON-60 is a robust solar module with 60 solar cells. These modules can be used for on-grid solar applications. Our meticulous design and production techniques ensure a high-yield, long-term performance for every module produced. Our rigorous quality control and in-house testing facilities guarantee LEXRON modules meet the highest quality standards possible.

Polycrystalline Silicon Solar Modules

Features



High module conversion efficiency (up to 18.80%), through superior manufacturing technology



Guaranteed 0- +5W positive power output tolerance ensures high reliability



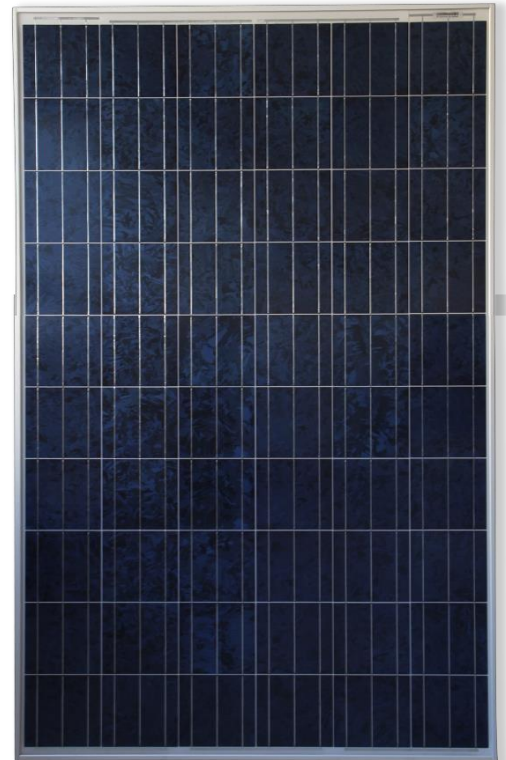
Anti-reflective, hydrophobic coating improves light absorption and reduces surface dust



Excellent performance under low light environments (mornings, evenings and cloudy days)



Entire module certified to withstand high wind loads (2400 Pascal) and snow loads (5400 Pascal)*



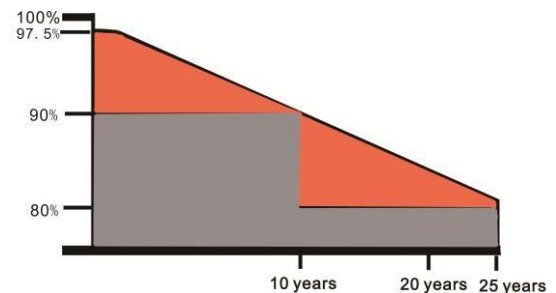
All-purpose Module

Sales network covers more than 20 countries, providing customers with instant after sales service and an efficient supply-chain, our clients can be found throughout the world, such as Europe, Oceania, Eastern Europe, East Asia, Middle East and Africa etc. LEXRON's team works closely with our customers to provide them with solutions for all their solar needs.



LEXRON reputation is founded on more than 200MW of high performance solar modules installed around the world.

Industry-leading warranty



- 25 year transferable power output warranty: 10year/90%; 25year/80%.
- Based on nominal power.
- 10 year material and workmanship warranty.

LEXRON-60

255/260/265/270/275P

Electrical Data

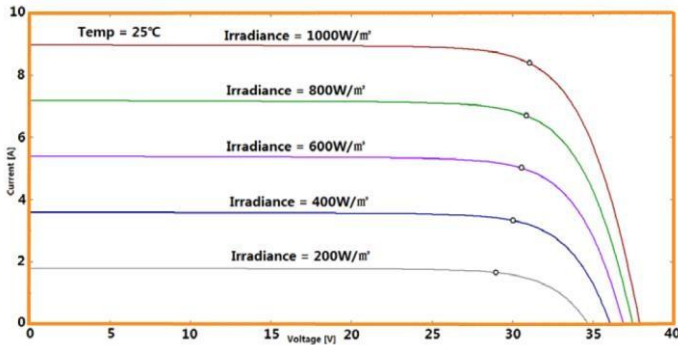
STC	LXR-255-60	LXR-260-60	LXR-265-60	LXR-270-60	LXR-275-60
Nominal Maximum	255W	260W	265W	270W	275W
Optimum Operating	30.5V	30.5V	30.8V	31.0V	31.2V
Optimum Operating	8.36A	8.52A	8.60A	8.71A	8.81A
Open CIRCUIT voltage(Voc)	37.1V	37.3V	37.5V	37.7V	37.8V
Short Circuit Current(Isc)	8.84A	8.91A	9.08A	9.43A	9.43A
Module Efficiency	17.40%	17.80%	18.20%	18.60%	18.80%
Operating Temperature	-40°C~+85°C				
Maximum System Voltage	1000V(IEC)/600V(UL)				
Maximum Series Fuse Rating	15A				
Application Classification	Class A				
Power Tolerance	0 ~ + 5W				

Under Standard Test Conditions (STC) of irradiance of 1000W/m², spectrum AM 1.5 and cell temperature of 25°C

NOCT	LXR-255-60	LXR-260-60	LXR-265-60	LXR-270-60	LXR-275-60
Nominal Maximum Power (Pmax)	192W	195W	198W	202W	205W
Optimum Operating Voltage (Vmp)	29.4V	29.8V	30.0V	30.2V	30.4V
Optimum Operating Current (Imp)	6.53A	6.54A	6.60A	6.69A	6.74A
Open Circuit Voltage (Voc)	34.3V	34.5V	34.7V	34.9V	35.1V
Short Circuit Current (Isc)	7.05A	7.10A	7.15A	7.20A	7.24A

Under Normal Operating Cell Temperature, irradiance of 800 W/m², spectrum AM 1.5, ambient temperature 20°C wind speed 1m/s

IV-Curves

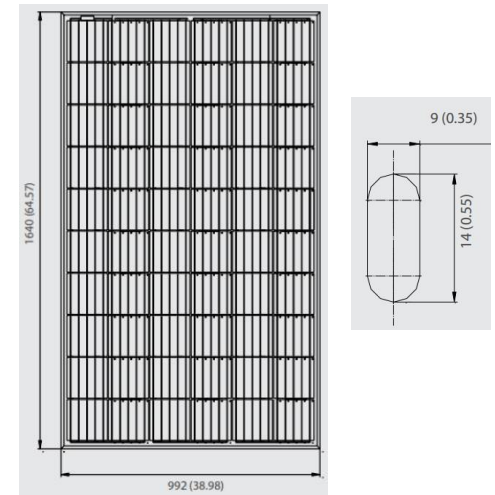
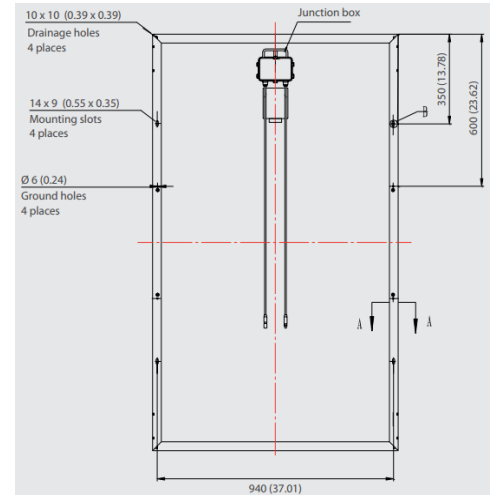


Temperature Characteristics

Nominal Operating Cell Temperature (NOCT)	45±2°C
Temperature Coefficient of Pmax	-0.43%/°C
Temperature Coefficient of Voc	-0.34%/°C
Temperature Coefficient of Isc	0.065%/°C

Packing Configuration

Container	20'GP	40'HQ
Pieces	300	832



Mechanical Data

Cell Type	Poly-crystalline 156.75x156.75mm, 4 or 5BB
Cell Arrangement	60 (6x10)
Dimensions	1640 x 990 x 35mm (64.57 x 38.98 x 1.38in)
Weight	19kg
Front Cover	3.2mm Tempered Glass
Frame Material	Anodized Aluminum Alloy
J-BOX	IP67, 6 Diodes
Cable	4mm2(IEC)/12AWG(UL),900mm
Connectors	MC4 or MC4 Comparable
Standard Packaging (Modules per Pallet)	30pcs
Module Pieces per container (40HQ)	832pcs (40'HQ)

LEXRON® is registered trademark of
KARTAL OTOMASYON

KARTALOTOMASYON MÜH.LTD.ŞTİ
0216 374 73 73
info@kartalotomasyon.com.tr
satis@kartalotomasyon.com.tr